

Freestanding Teepee Den

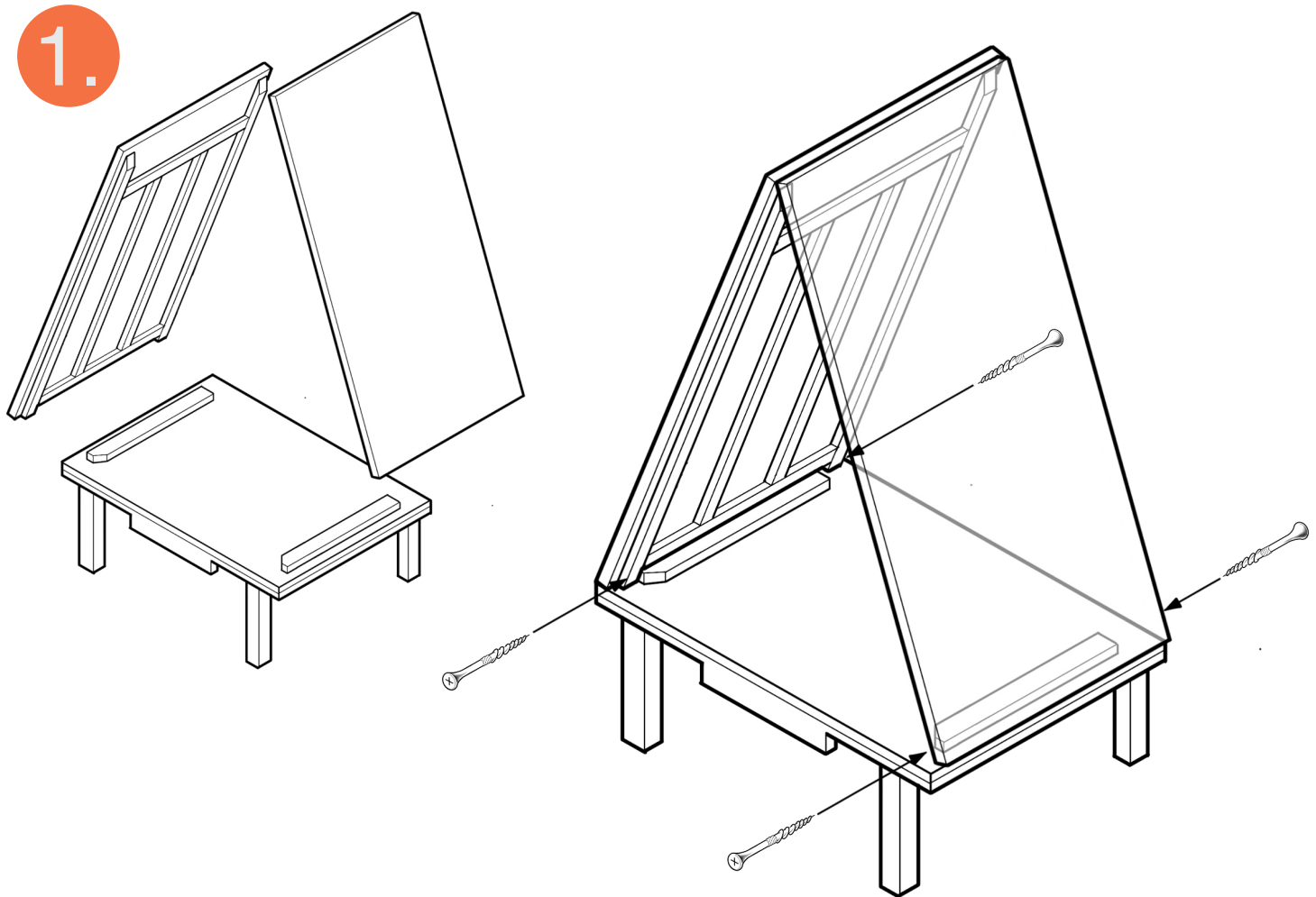
Parts List:

17x 80mm Screws
2x 60mm Screws
Grass - 1150mm x 1600mm

Required Tools

Drill or Screwdriver
2 Adults are needed to assemble this product

1. Place the base on a flat level surface, make note of which side is the front. Place side panels on the base and lean together until they touch at the top, ensuring the peak sits flush and square. Using 80mm screws secure the base to the side panels through the pre-drilled holes in each corner (4 x 80mm screws)

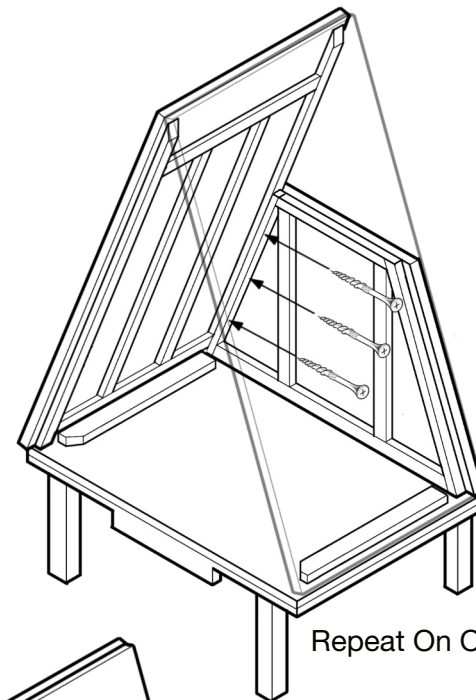
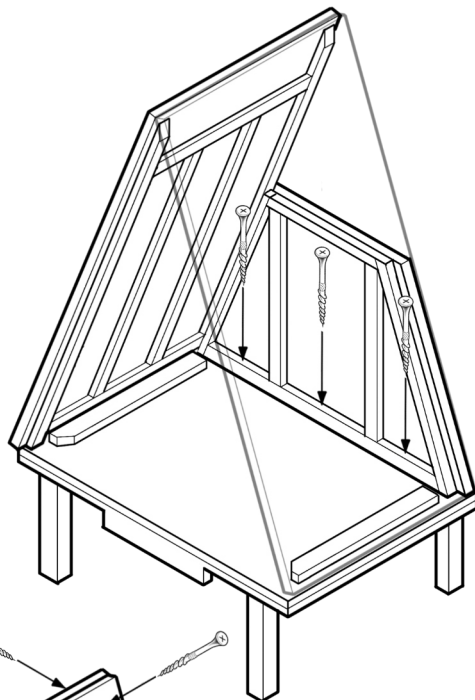


2. Fit back panel into place, ensure it sits flush. inside secure in place with 9x 80mm Screws using the pre-drilled holes. (3x 80mm screws per side)

3. Secure the peak using 4x 80mm Screws in the pre-drilled holes provided

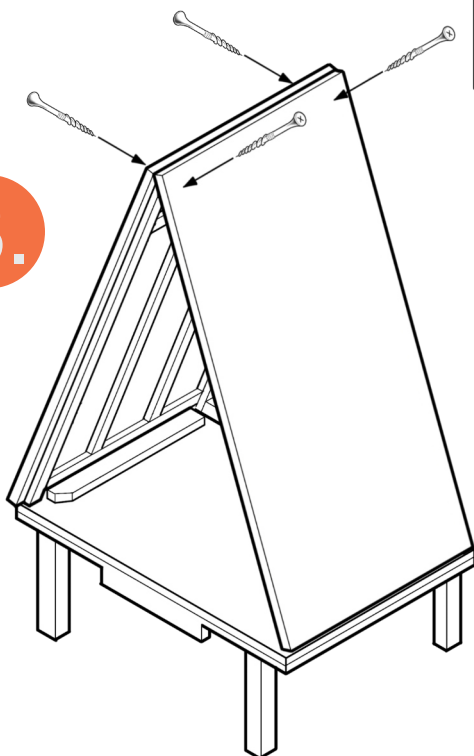
4. Place the steps against product and floor, ensuring they sit square, secure in place with 3x 60mm Screws using the pre-drilled holes

2.



Repeat On Opposite side

3.



4.

